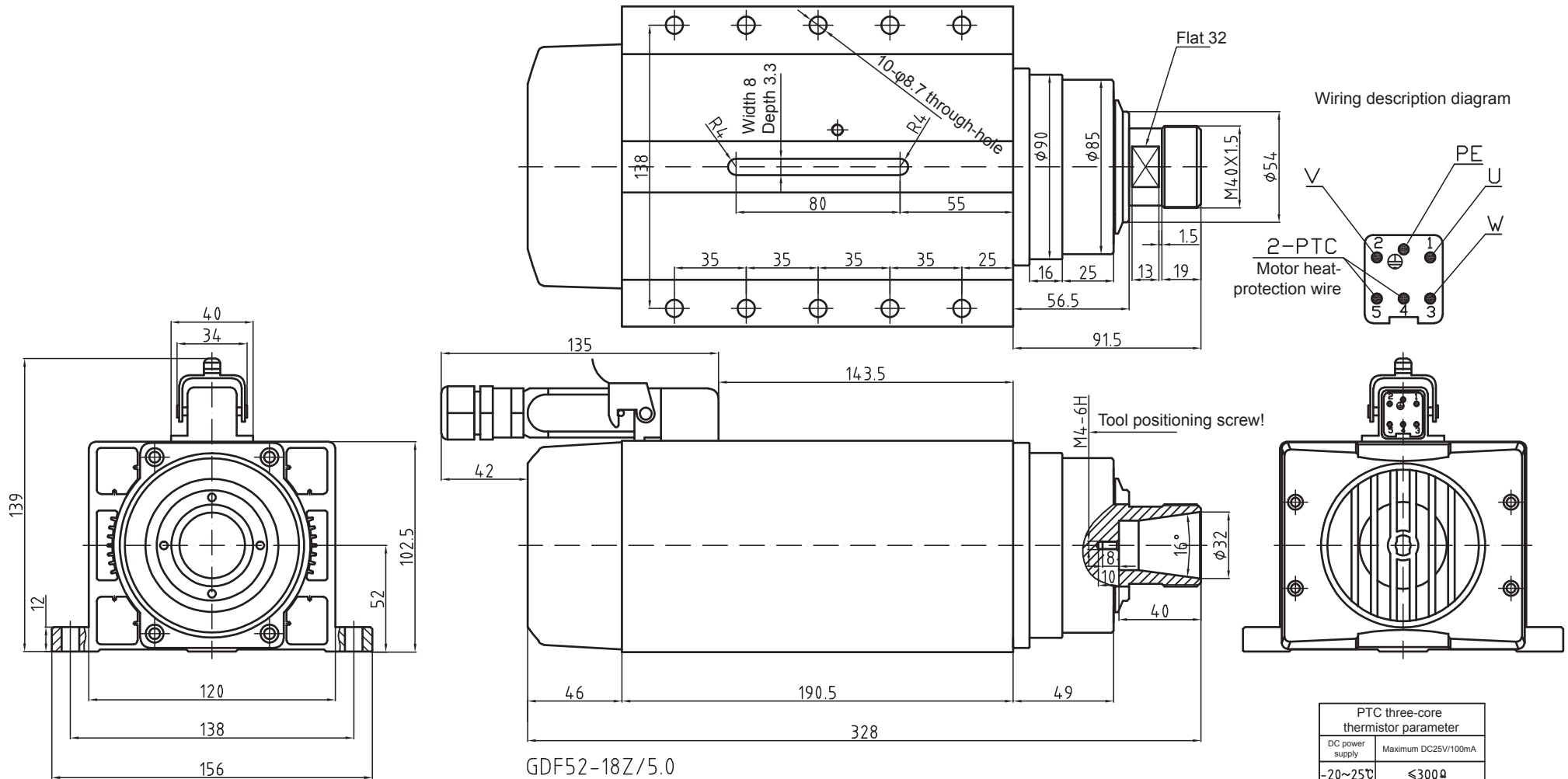


GDF52-18Z/5.0 Four-pole 380V Outline diagram



GDF52-18Z/5.0

Power	5.0 kw	Weight: 12KG
Voltage	380 V	ER nut: ER32
Current	11.0 A	Cooling method: air cooling
Frequency	600 Hz	Bearing lubrication method: grease lubrication
Rotating speed	18000 r/min	High-precision angular contact ball bearing: 2×7008C P4/2×7002C P4

Rotating direction: anticlockwise from the shaft extension end
 Special attention: thread locking adhesive shall be applied or the spring washer shall be added to prevent the looseness during the installation of the fastening screw!

PTC three-core thermistor parameter	
DC power supply	Maximum DC25V/100mA
-20~25℃	≤300Ω
≤90℃	≤750Ω
105℃	≤1650Ω
110℃	Rated operating temperature
115℃	≥3990Ω
≥125℃	≥12KΩ
≤160℃	Maximum storage temperature