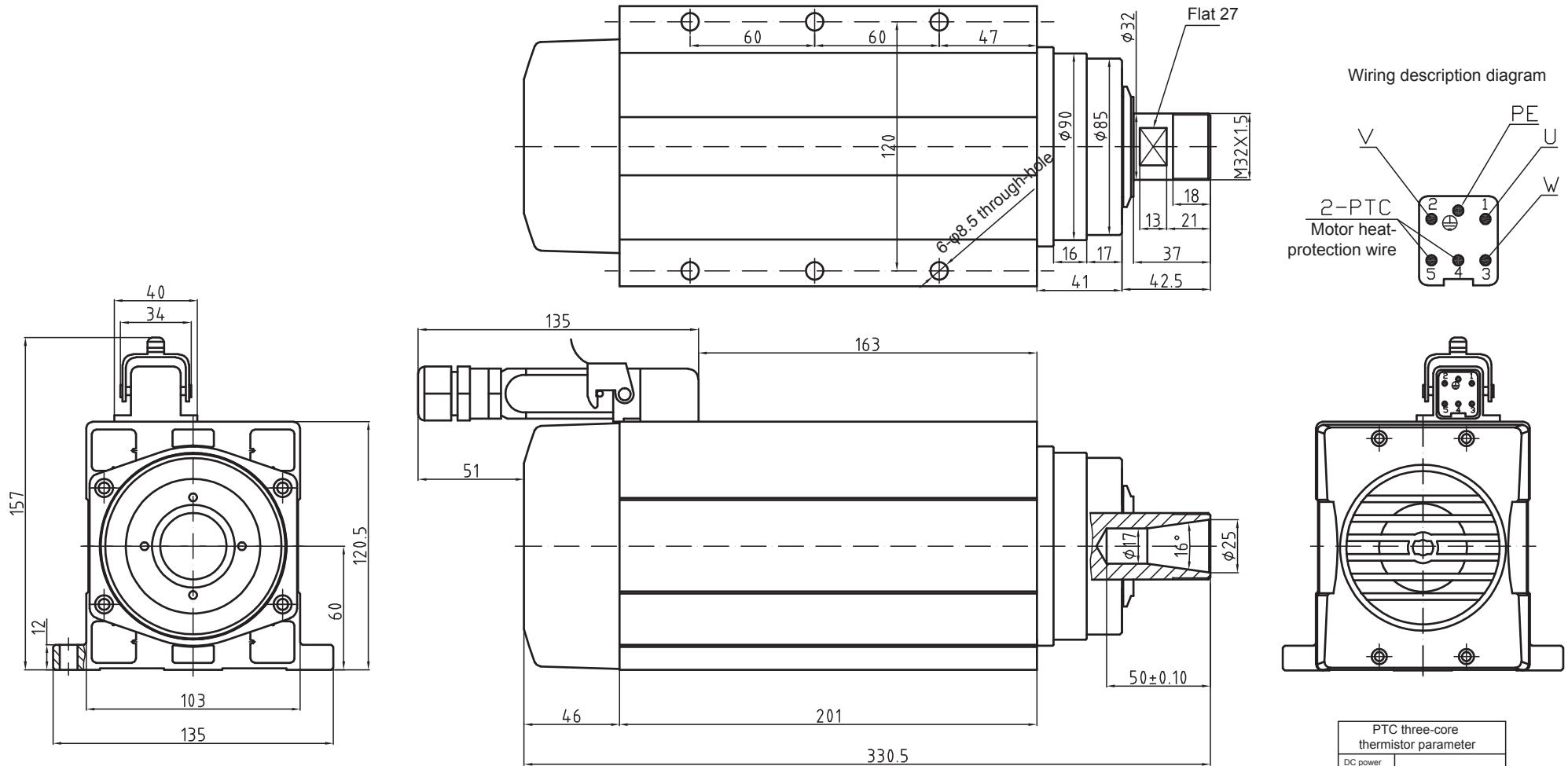


GDF60-18Z/4.5-ER25 220V Outline diagram



GDF60-18Z/4.5-ER25

Power 4.5 kw Weight: 12KG
 Voltage 220 V ER nut: ER25
 Current 15.0 A Cooling method: air cooling
 Frequency 300 Hz Bearing lubrication method: grease lubrication
 Rotating speed 18000 r/min High-precision angular contact ball bearing: 2×7007C P4/2×7002C P4
 Rotating direction: anticlockwise from the shaft extension end

Special attention: thread locking adhesive shall be applied or the spring washer shall be added to prevent the looseness during the installation of the fastening screw!

PTC three-core thermistor parameter	
DC power supply	Maximum DC25V/100mA
-20~25℃	≤300Ω
≤90℃	≤750Ω
105℃	≤1650Ω
110℃	Rated operating temperature
115℃	≥3990Ω
≥125℃	≥12KΩ
≤160℃	Maximum storage temperature