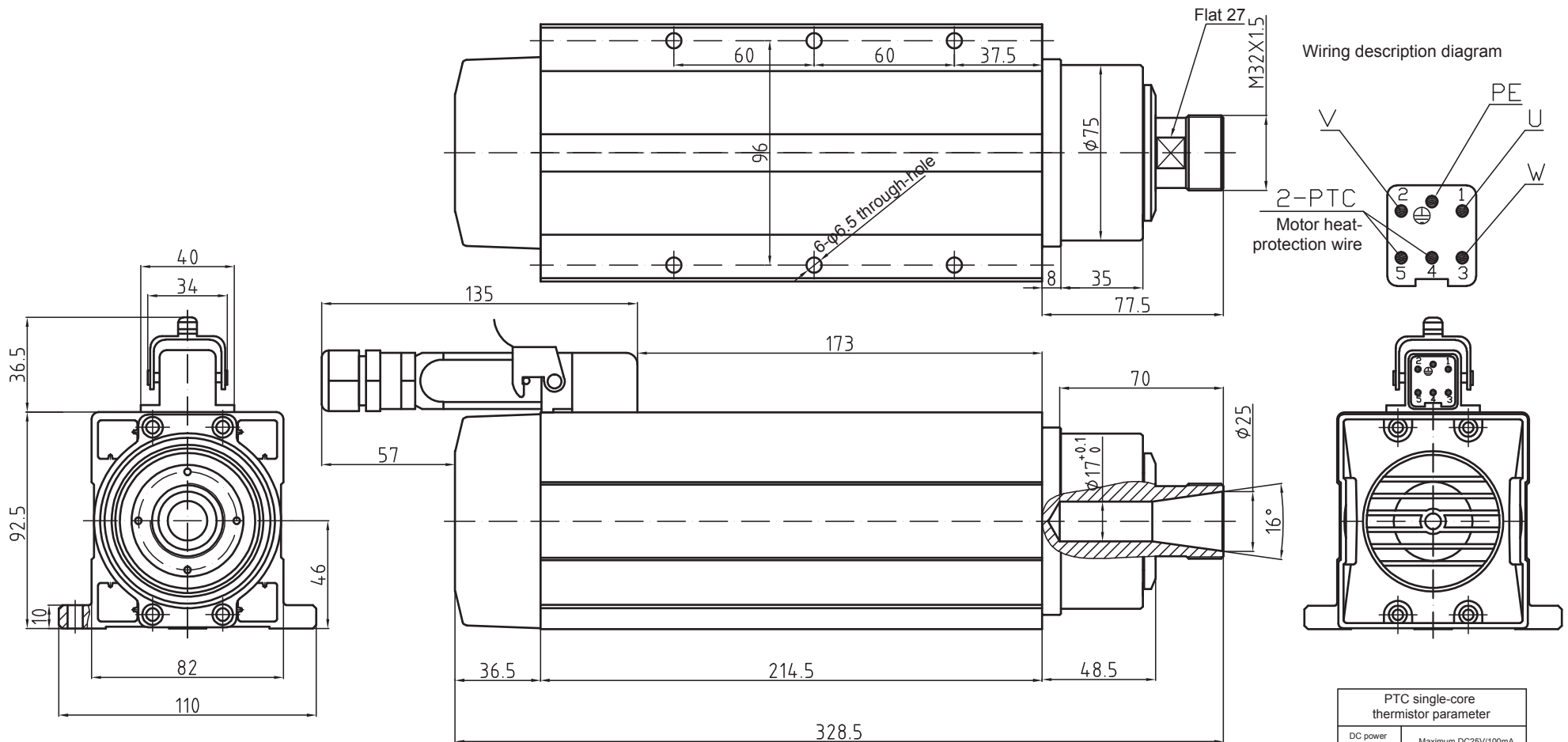


GDF46-18Z/3.5 380V Outline diagram



GDF46-18Z/3.5

Power 3.5 kw
Voltage 380 V
Current 7.0 A
Frequency 300 Hz
Rotating speed 18000 r/min

Weight: 8KG

ER nut: ER25

Cooling method: air cooling

Bearing lubrication method: grease lubrication

High-precision angular contact ball bearing: 2×7007C P4/2×7002C P4

Rotating direction: anticlockwise from the shaft extension end

Special attention: thread locking adhesive shall be applied or the spring washer shall be added to prevent the looseness during the installation of the fastening screw!

PTC single-core thermistor parameter

DC power supply	Maximum DC25V/100mA
-20~25℃	≤100Ω
≤90℃	≤250Ω
105℃	≤550Ω
110℃	Rated operating temperature
115℃	≥1330Ω
≥125℃	≥4KΩ
≤160℃	Maximum storage temperature