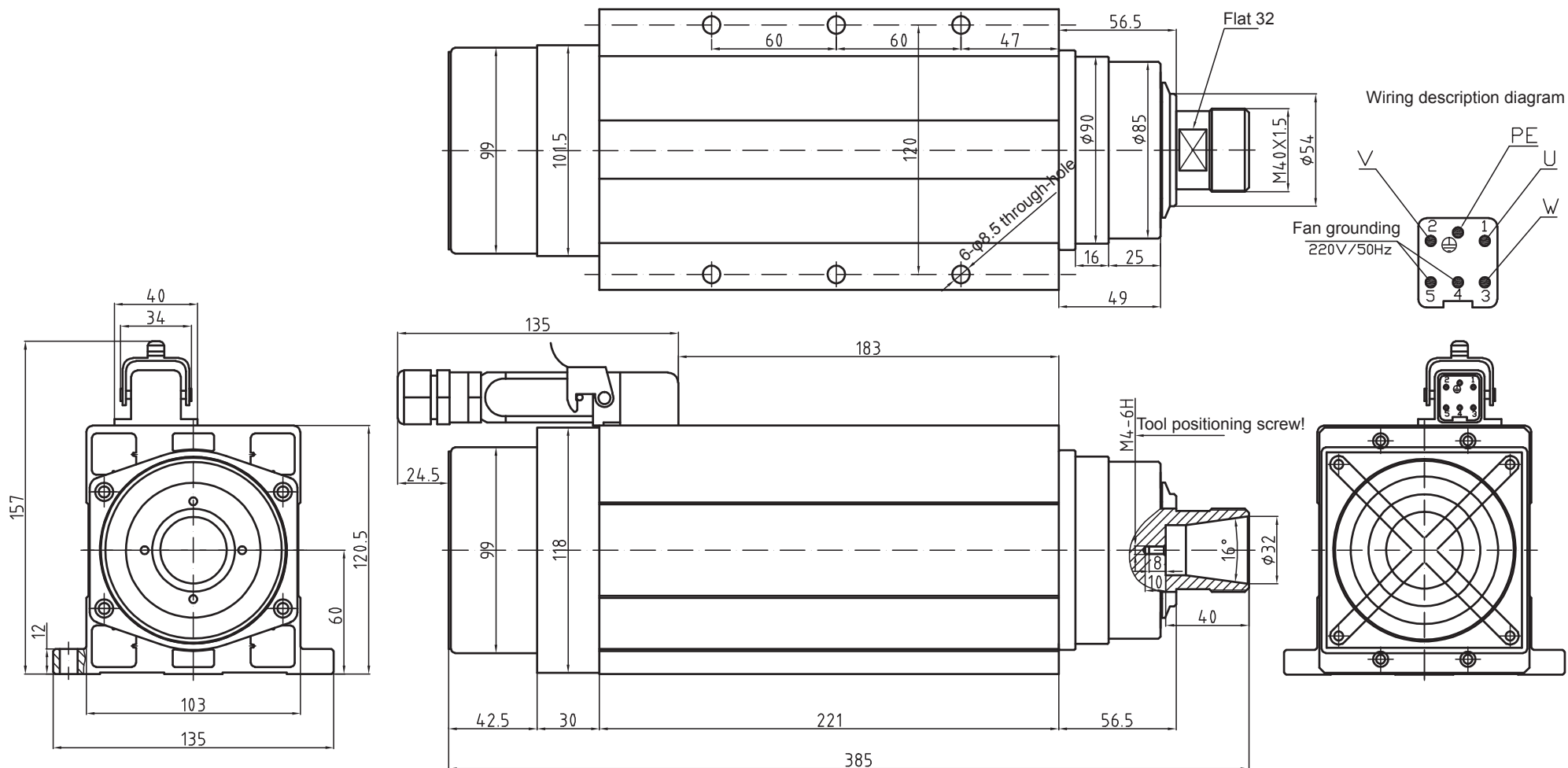


GDF60-18Z/5.5 380V Outline diagram



GDF60-18Z/5.5

Power	5.5 kw	Weight: 13KG
Voltage	380 V	ER nut: ER32
Current	12.5 A	Cooling method: air cooling
Frequency	300 Hz	Bearing lubrication method: grease lubrication
Rotating speed	18000 r/min	High-precision angular contact ball bearing: 2×7008C P4/2×7002C P4

Rotating direction: anticlockwise from the shaft extension end

Special attention: thread locking adhesive shall be applied or the spring washer shall be added to prevent the looseness during the installation of the fastening screw!